

basicDIM ILD G2 CWM 20 PBI1

Push Button Interface (PBI) for ILD G2 system

Product description

- Push Button Interface (PBI) for ILD G2 system
- Short push-button action: on / off (factory default)
- Long push-button action: dim up / dim down (factory default)
- Double push-button action: set new target value for light regulation (factory default)
- Through-wiring DA1 / DA2 possible
- Detachable mounting flaps, allow installation in flush-mounted boxes and luminaires

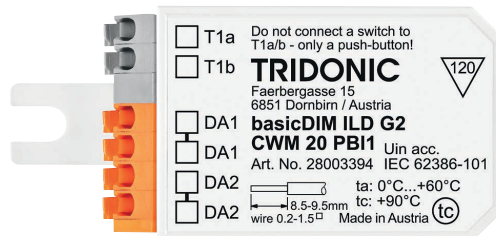
Note

- A permanent short circuit between T1a and T1b results in limited function
- Only push buttons can be used



Standards, page 3

Wiring diagrams and installation examples, page 4



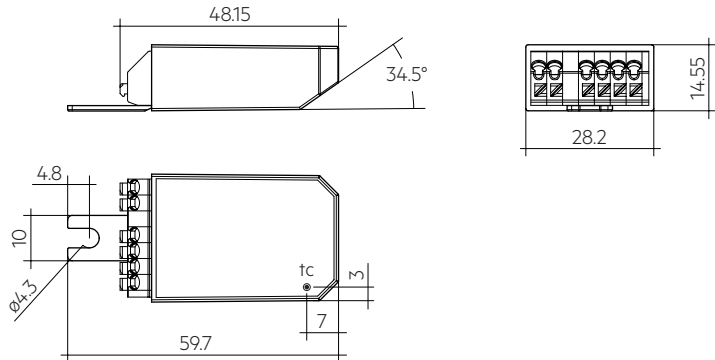


basicDIM ILD G2 CWM 20 PBI1

Push Button Interface (PBI) for ILD G2 system

Technical data

Supply via	DALI PS
Supply voltage	14.0 – 20.5 V
Current draw active ^①	max. 250 mA
Current draw passive	0 mA
Input	1 momentary-action switch
Ambient temperature t_a	0 ... +60 °C
t_c	90 °C
Storage temperature	-25 ... +60 °C
Humidity	20 ... 90 % (non-condensing)
Turn on time	≤ 1 s
Type of protection	IP20
Type of installation	Mounting box 60 x 61 mm (ø x D)
Casing material	Polycarbonate
Casing colour	White
Dimension L x W x H	59.70 x 28.20 x 14.55 mm



Ordering data

Type	Article number	Packaging, carton	Weight per pc.
basicDIM ILD G2 CWM 20 PBI1	28003394	15 pc(s).	0.012 kg

^① The max. current consumption is depending on used power supply.

1. Standards

EN 55015: 2013
EN 61347-2-11
EN 61547: 2009

1.1 Glow wire test

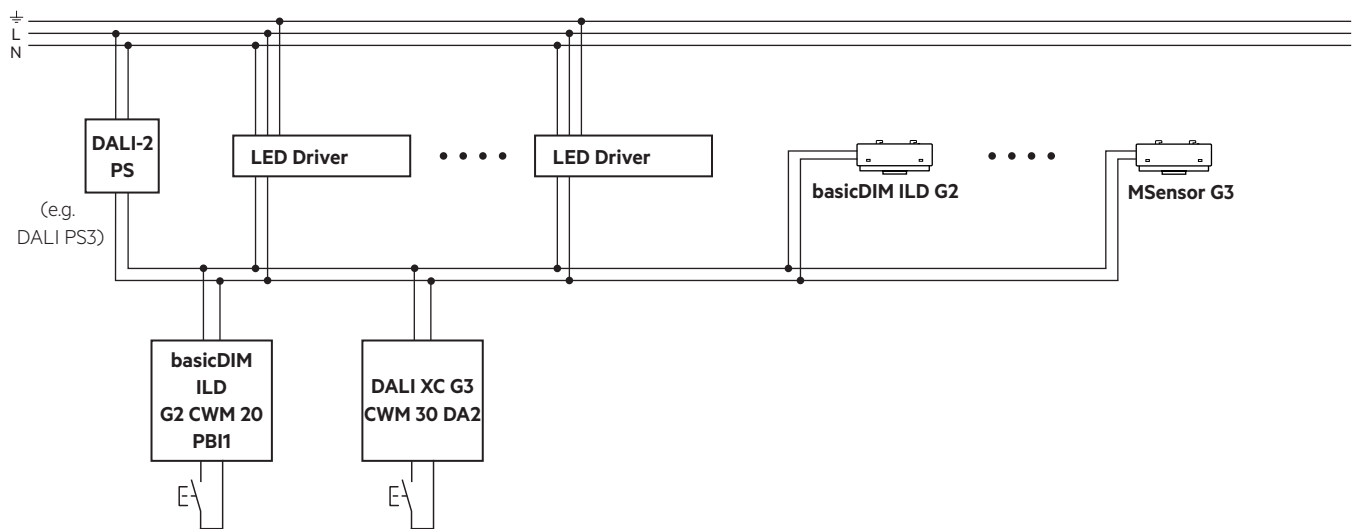
according to EN 61347-2-11 passed for temperatures up to 850°C.

2. Installation

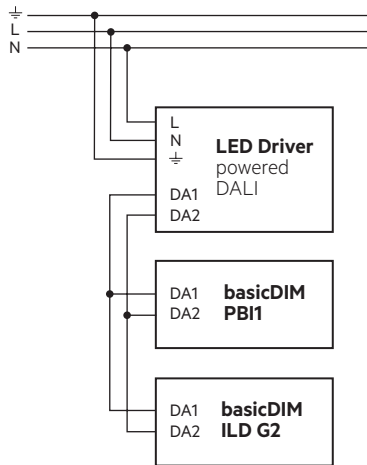
- Device can be inserted into the mounting box for the momentary switch.
- Device must not be connected to the mains. It is supplied directly via the DALI signal line.
- The momentary switch is connected directly to the device (potential free contacts) and must not be connected to the mains.
- DALI signals are not SELV. Therefore the same procedures should be applied as working with mains voltage.
- Only one momentary switch each device input.

2.1 Connection diagrams

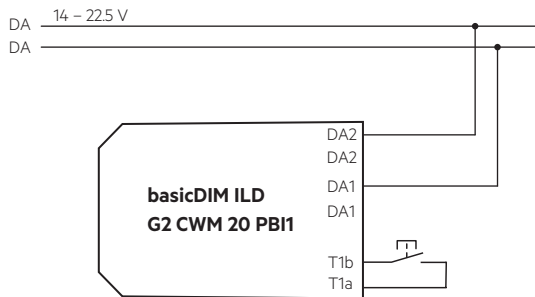
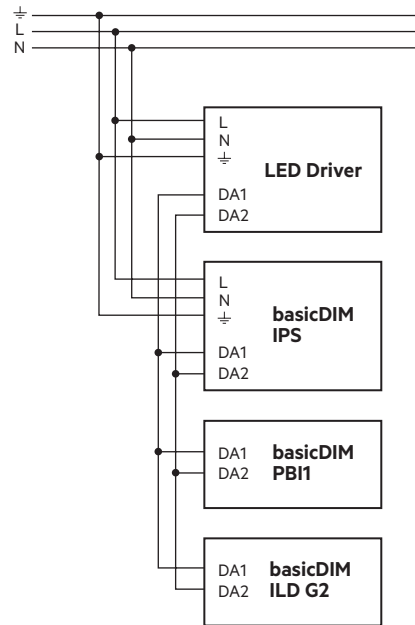
Room application:



Single / free-standing luminaires, Driver with integrated power supply (DALI):



Single / free-standing luminaires, Driver with separate power supply (DALI):

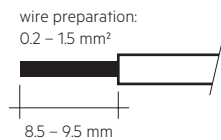


2.2 Wiring type and cross section

The wiring can be solid wire or stranded wire with end sleeve with a cross-section of 0.2 mm² to 1.5 mm².

Maximum cable length between momentary switch and device is 100 cm at 1.5 mm².

Maximum cable length DALI is 100 m at 1.5 mm².



2.3 Terminals

Orange = DALI D1 and D2

Grey = Push button input T1a – T1b

4. Miscellaneous

4.1 Disposal



According to the WEEE directive return old equipment at appropriate collection facilities.

4.2 Additional information

Additional technical information at www.tridonic.com → Technical Data

Guarantee conditions at www.tridonic.com → Services

Life-time declarations are informative and represent no warranty claim. No warranty if device was opened.