



smartSWITCH II

Automatic switching based on presence and light level

Product description

- Motion sensor for luminaire installation
- For automatic on/off switching of luminaires with electronic ballasts
- „Bright-Out“ function: luminaire is not switched on if there is adequate brightness
- Maximum of 1 sensor possible
- Low-profile casing (21 x 30 mm)
- For a maximum of 2 ECGs
- Delay time and light value for the „Bright-Out“ function can be set via 2 potentiometers
- 5-year guarantee

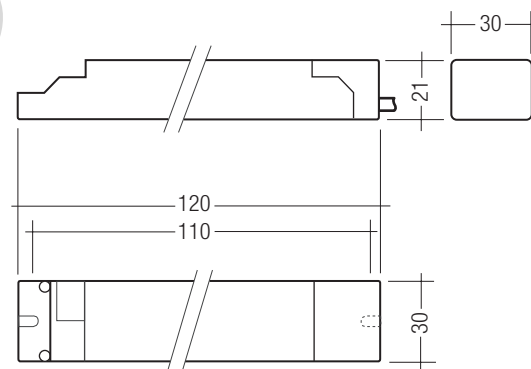
Technical data

Rated supply voltage	220 – 240 V
Mains frequency	50 / 60 Hz
Power	7.5 VA
Output, standby	0.6 W
Ambient temperature ta	0 ... +60 °C



smartSWITCH II

smartSWITCH strain relief



Ordering data

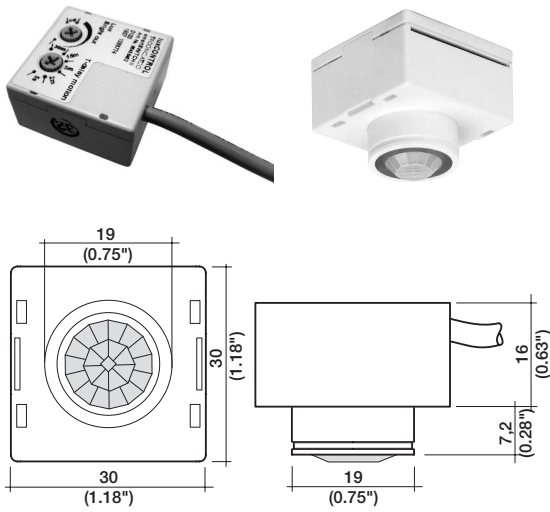
Type	Article number	Packaging carton	Weight per pc.
smartSWITCH II	28000871	10 pc(s).	0.055 kg
smartSWITCH strain relief	28000867	10 pc(s).	0.055 kg

Specific technical data

Type	Inputs			Output, relay (L)		
	Max. smartSWITCH sensors	Sensor cable length	L' (switched phase)	Max. switching output (e.g. PCA)	Max. switching output [W]	Max. switching output [VA]
smartSWITCH II	1	0.50 m (can be extended to 2 m max.)	220 – 240 V	2	500 W	200 VA
smartSWITCH strain relief	1	0.25 m (can be extended to 2 m max.)	220 – 240 V	2	500 W	200 VA

smartSWITCH Sensor

cable entry point on the side

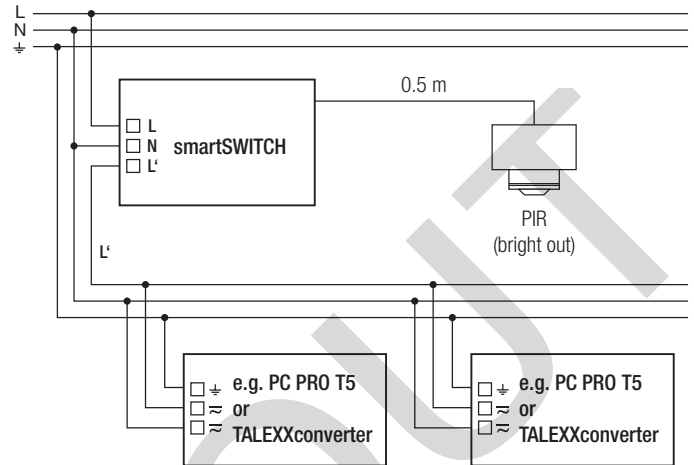


Ultra-compact luminaire mounted sensor for ambient light and detection of movement.

The smartDIM mirror which is available as an accessory enables the detection area of the PIR function to be extended.

The two sensors only differ by the cable length.

Wiring diagram

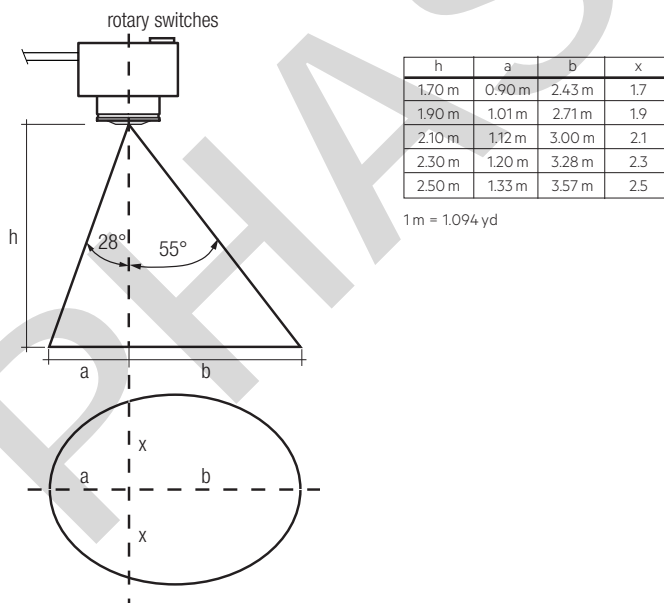


Glow-wire test

according to EN 61347-1 passed.

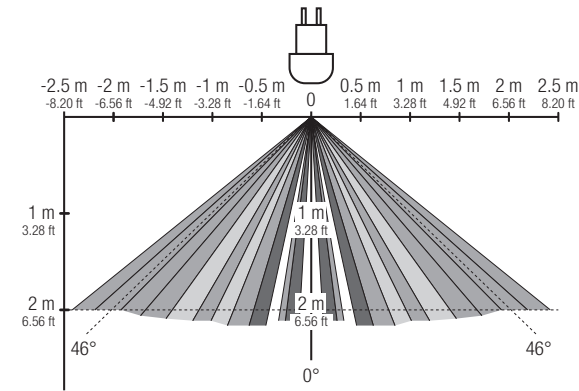
Light regulation

Light level is being measured via a special photo diode with spectral filter (see diagram below). This allows for precise light level measurement without interference from thermal radiation.



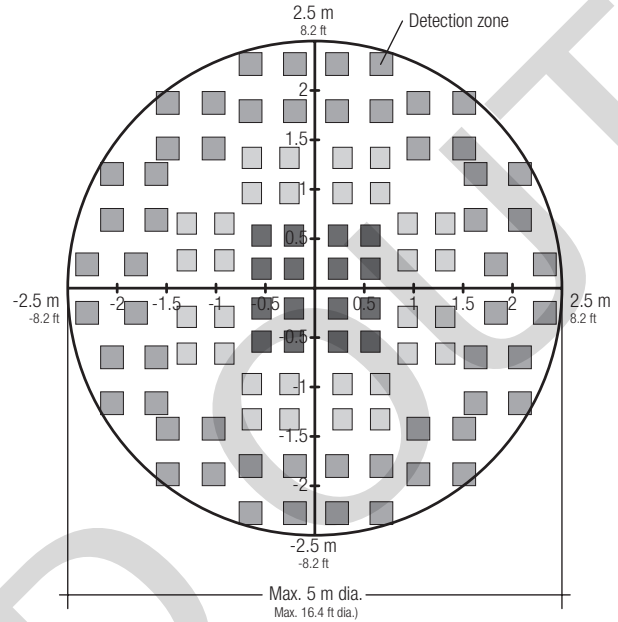
Presence detection

Detection area: 46° (half angle)
 Scope: 2 m / 2.2 yd



max. distance from smartSWITCH sensor to ground 2.5 m / 2.7 yd

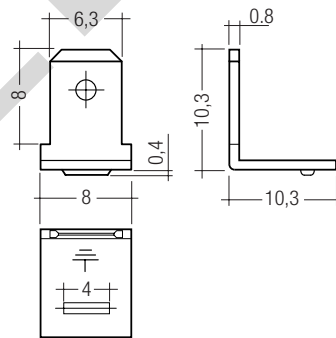
Detection range at 2 m distance



Installation instructions

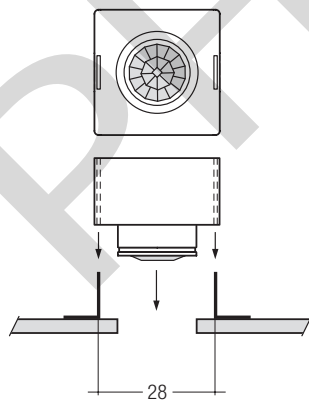
Simple and straight forward installation using a purpose built mounting clamp. These mounting clamps can be inserted into the slots in the sensor housing. The mounting clamps are available in 2 different versions (suitable for screw fix or spot welding). Mounting clamps are not delivered with the product.

The mounting clamp can be found on www.vogt.ch by searching for "38421sbae.80".

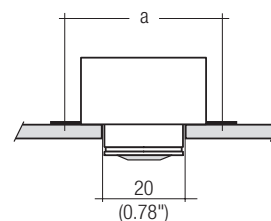
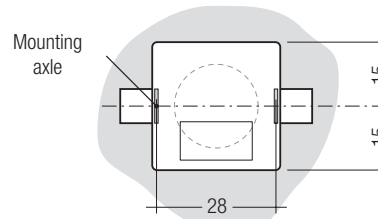


example for weldable mounting clamps
 dimensions in mm (1 mm = 0.039")

Installation of the mounting clamps at the sensor



With longer mounting clamps the position of the sensor can be adjusted also in height. So the edge of the sensor is flush with the lamp surface.

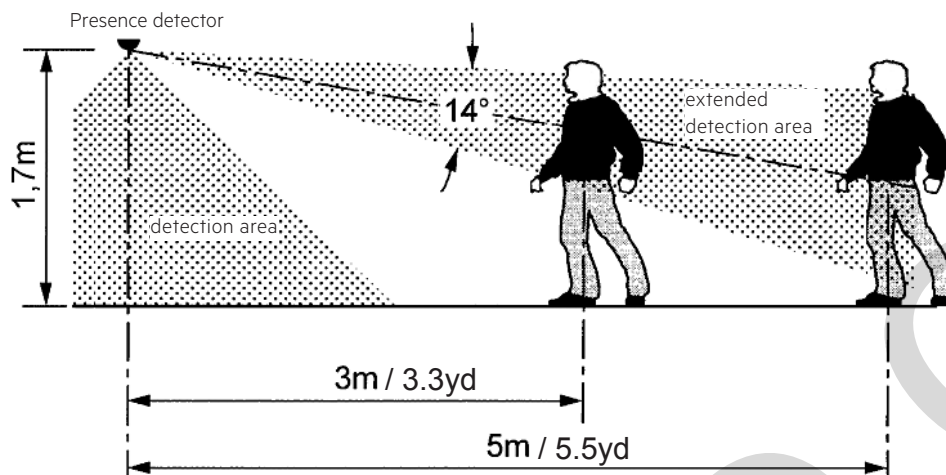


Dimension A is dependent on the type of bracket used

smartSWITCH accessory

smartDIM MIRROR

The clip on smartDIM MIRROR allows the detection area of the PIR sensor to be focused and extended up to 5 m. The mirror will shield one side of the sensor detection zone and therefore reduce sensitivity in that plane.



Ordering data

Type	Article number
smartDIM Mirror	28000851

Packaging: 1 pieces/carton

① For further technical information please visit www.tridonic.com