



TE VIPER, with cable

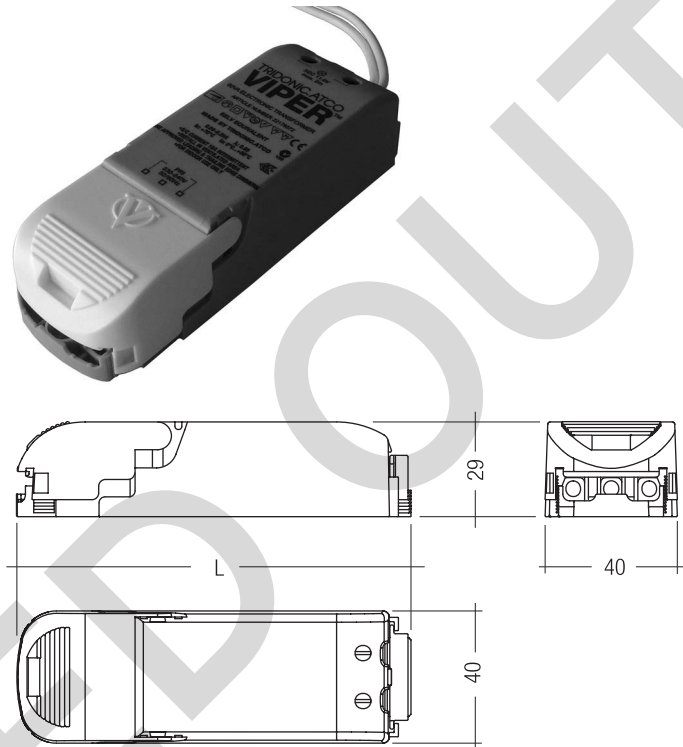
Dimming via leading-edge and trailing-edge phase dimmers

Product description

- Short-circuit shutdown feature with automatic restart
- Compact dimensions
- Overtemperature and overload protection
- Large connection compartment
- With soft start (< 1 s)
- Double assignment of the terminal possible
- Screw terminals for rigid and flexible wires
- Ground terminal for through-wiring
- Cable, secondary: silicon insulated 60 – 180 °C, 2x1.5 mm², 0.5 m
- Rapid installation of cable clamp and terminal cover, no tool required
- Not suitable for operation with MR16 LED bulbs

Standards

- EN 55015
- EN 61000-3-2
- EN 61047
- EN 61347-2-2
- EN61547



Technical data

Mains voltage range	230 – 240 V
Mains frequency	50 / 60 Hz
Dimming	Leading-edge and trailing-edge phase control
Soft-start	< 1 s
λ	> 0.95
Max. cable length secondary	2 m
Protection class	II
Type of protection	IP20

Ordering data

Typ	Article number	Packaging, carton	Packaging, low volume	Packaging, high volume	Weight per pc.
VIPER 60 VA	22176150	20 pc(s).	220 pc(s).	2,860 pc(s).	0.120 kg
VIPER 105 VA	22176181	20 pc(s).	200 pc(s).	2,600 pc(s).	0.149 kg

Specific technical data

Type	Dimensions L x W x H	Lamp power	Rated current (at 230 V 50 Hz)	Secondary voltage 230 V	Secondary voltage 240 V	Operating frequency	Ambient temperature t_a	Max. casing temperature	Max. torque terminal block	Terminal diameter on each pole	Stripping length (primary/secondary)	Output terminal
VIPER 60 VA	120 x 40 x 29 mm	20 – 60 VA	0.26 A	11.3 V	11.6 V	55 kHz	0 ... +50 °C	70 °C	0.4 Nm	max. 2.5 mm ² min. 1.5 mm ²	8 mm	Cable 0.5 m
VIPER 105 VA	141 x 40 x 29 mm	35 – 105 VA	0.45 A	11.0 V	11.5 V	45 kHz	0 ... +45 °C	85 °C	0.4 Nm	max. 2.5 mm ² min. 1.5 mm ²	8 mm	Cable 0.5 m