

DSI-RK

Relay module for switching ohmic loads

Product description

- Relay module
- For switching ohmic loads
- Operation via momentary-action switch (switchDIM) or DSI signal
- Parametrisation (RELAY-ON, RELAY-OFF) via configTOOL software
- Floating switching output
- 5-year guarantee



Wiring diagrams and installation examples, page 3



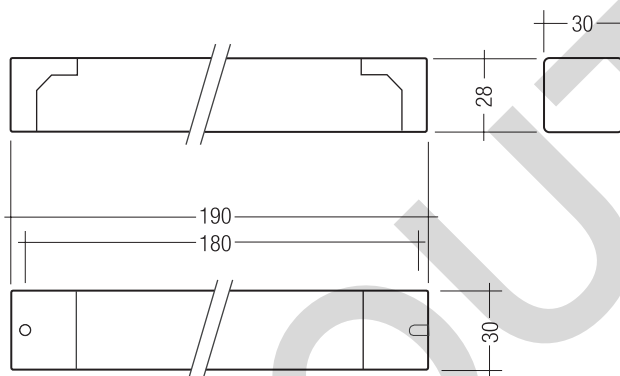


DSI-RK

Relay module for switching ohmic loads

Technical data

Rated supply voltage	220 - 240 V
Mains frequency	50 / 60 Hz
Ambient temperature t_a	0 ... +60 °C
Type of protection	IP20



Ordering data

Type	Article number	Packaging, carton	Weight per pc.
DSI-RK	28000844	10 pc(s).	0.113 kg

Specific technical data

Type	Input	Output, relay		
		Relay, floating	Switching output (at 110 V DC max.)	Switching output (at 250 V AC max.)
DSI-RK	DSI/switchDIM	Make contact	110 W / 1 A	500 W / 2 A

Glow-wire test

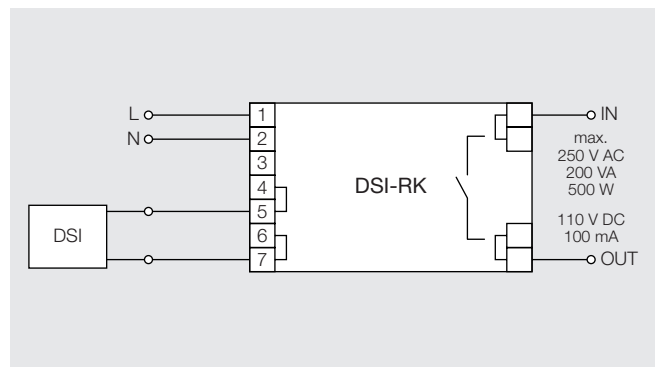
according to EN 61347-1 passed.

- DSI-RK allows the switching of loads like e.g. GLS, magnetic transformers, magnetic ballasts or electronic, non-dimmable ballasts in connection with a DSI- or switchDIM installation.
- It is controlled via a DSI-interface or via a push-to-make-switch (switchDIM)

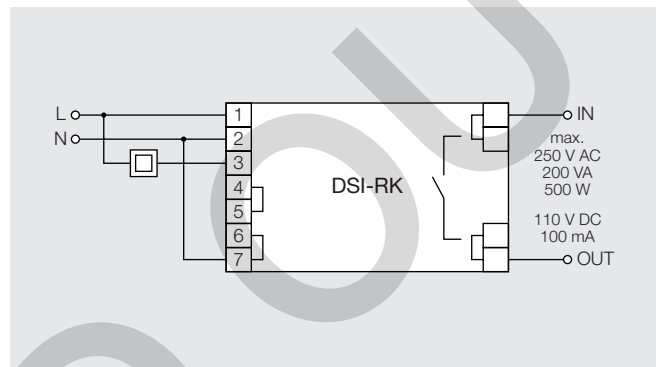
- winDIM-software to set up parameters.
- 5-year guarantee

Factory preset:
DSI $\geq 1 \rightarrow$ ON
DSI = 0 \rightarrow OFF

Wiring



DSI-RK



DSI-RK switchDIM