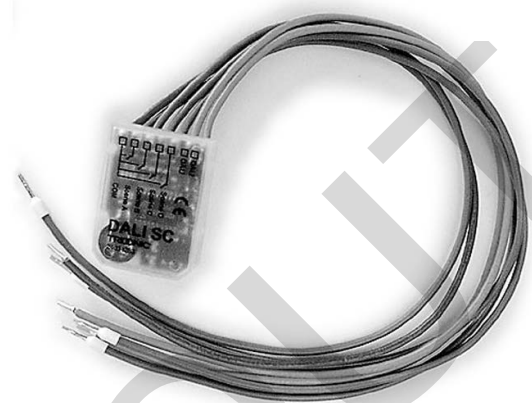
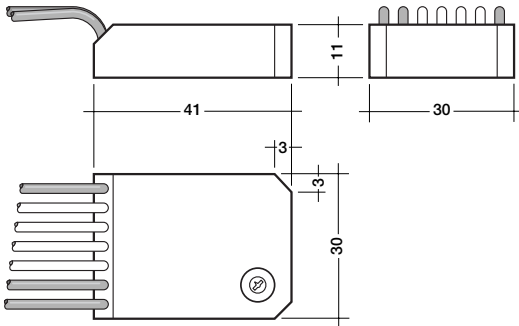


DALI SC-A



Functional description:

- Ultra compact control module to set and recall lighting-scenes from DALI ballasts with conventional momentary switches.
- Assigning of momentary switches to specific lighting-scenes is done by selecting the scenes range via a turn switch on the back of the module.
- DALI SC-A modules allow multi master operation. Multiple control modules can be used on the same comfortDIM DALI network.
- Addressing of individual ballasts and assigning ballasts to DALI scenes can be done only within using the programming tool winDIM or the DALI-TOOL (www.tridonicatco.com downloads). The overall big advantage is that this is a protection of re-programming of scenes via the simple "momentary switch" sequence.
- 5-year guarantee

Installation:

- The DALI SC-A is inserted into the mounting box for the momentary switch.
- The DALI SC-A must not be connected to the mains. It is supplied directly via the DALI signal line.
- The momentary switches are connected directly to the DALI SC-A (potential free contacts) and must not be connected to the mains.
- DALI signals are not SELV. Therefore the same procedures should be applied as working with mains voltage.
- The connection leads between the momentary switches and the DALI SC-A must not be lengthened.

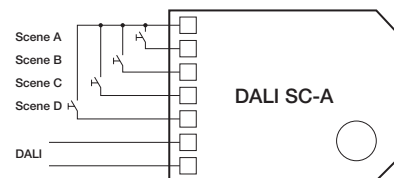
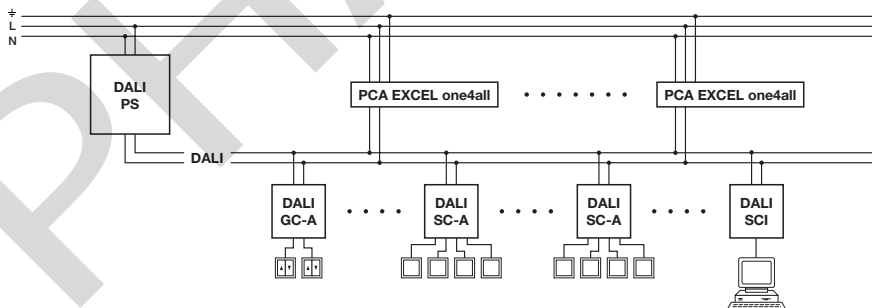
Type	DALI SC-A	
article number	24138906	
supply	-	via DALI signal line
current	-	6 mA
input	4 momentary switches	single
output	-	DALI (broadcast)
scenes	-	4 (broadcast) from 16
temperature	permitted ambient temperature	0-50 °C

Glow-wire test

according to EN 60598-1 passed.

DALI standard

The DALI SC-A is designed to control control gear with DALI standard IEC 60929 (DALI V0) and IEC 62386 (DALI V1).



single momentary switch