

#### DALI PS2

DALI power supply

#### Product description

- For supplying 240 mA for DALI devices or control modules without their own power supplies
- For installation in switching cabinets
- 5-year guarantee



**Wiring diagrams and installation examples**, page 3



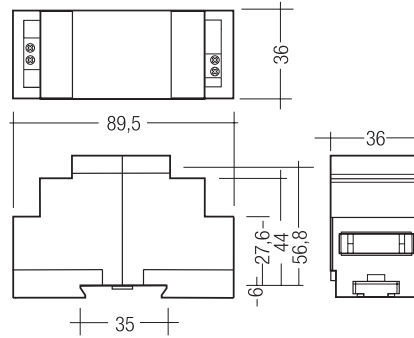


#### DALI PS2

DALI power supply

#### Technical data

Rated supply voltage	220 – 240 V
Mains frequency	50 / 60 Hz
Typ. rated current (at 230 V, 50 Hz, full load)	65 mA
Power	5 W
Output voltage	16 V ±5 %
Max. output current, DALI	240 mA
Operating temperature	0 ... +50 °C
Max. casing temperature $t_c$	80 °C
Storage temperature	0 ... +70 °C
Type of protection	IP20
Dimensions L x W x H	89.5 x 36 x 56.8 mm



#### Ordering data

Type	Article number	Packaging, carton	Weight per pc.
DALI PS2	28000876	25 pc(s).	0.105 kg

### 1. Standards

- EN 55015
- EN 61547
- EN 61000-3-2
- EN 61000-3-3
- EN 61347-2-11
- EN 62386-101

#### 1.1 DALI standard

DALI PS2 is designed to supply control gear with DALI standard IEC 60929 (DALI V0) and IEC 62386 (DALI V1).

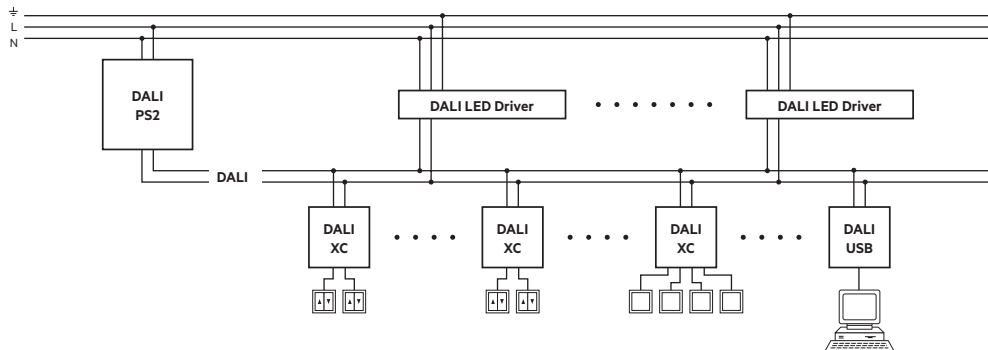
#### 1.2 Glow-wire test

according to EN 60598-1 passed.

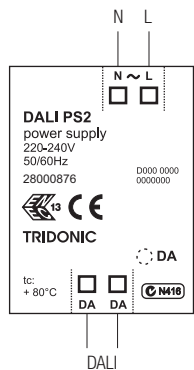
### 2. Installation

- DALI signals are not SELV. Therefore the same procedures should be applied as working with mains voltage
- Individual DALI circuits must not exceed 240 mA
- The maximum cable length of the DALI signal wires must not exceed 300 m or drop more than 2 V on the signal line voltage

#### 2.1 Wiring

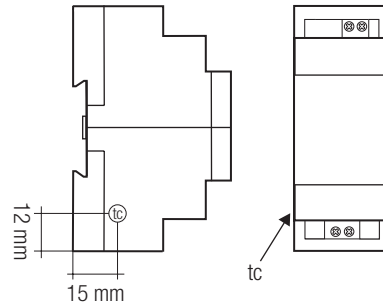


#### 2.2 Circuit diagram



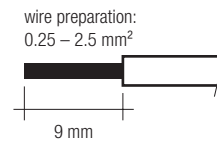
#### 2.3 tc control point

Max. casing temperature  $t_c = 80^\circ\text{C}$



#### 2.4 Wiring type and cross section

The wiring can be solid wire, stranded wire or stranded wire with end sleeve with a cross-section of 0.25 mm<sup>2</sup> to 2.5 mm<sup>2</sup>.



### 3. Miscellaneous

#### 3.1 Disposal



According to the WEEE directive return old equipment at appropriate collection facilities.

#### 3.2 Additional information

Additional technical information at [www.tridonic.com](http://www.tridonic.com) → Technical Data

Guarantee conditions at [www.tridonic.com](http://www.tridonic.com) → Services

Life-time declarations are informative and represent no warranty claim. No warranty if device was opened.